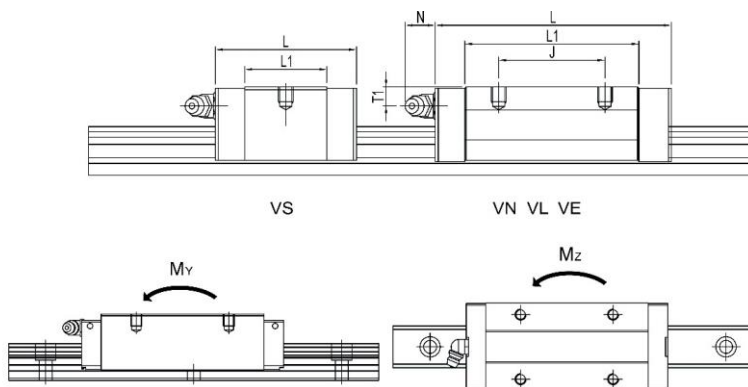
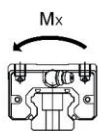
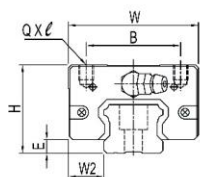


# TRS-V TÍPUS

## TRS-V TYPE



| Cikkszám<br>Code |            |            | Típus<br>Type | Méretek / Sizes |      |     |    |    |    |       |      |        |          | Zsírzás<br>Greaser |      |       |        | Terhelés<br>Load |       | Statikus nyomaték<br>Static moment |      |  | Tömeg<br>Weight |  |  |  |  |  |  |  |      |  |       |  |  |      |
|------------------|------------|------------|---------------|-----------------|------|-----|----|----|----|-------|------|--------|----------|--------------------|------|-------|--------|------------------|-------|------------------------------------|------|--|-----------------|--|--|--|--|--|--|--|------|--|-------|--|--|------|
| N-Z0             | H-Z1       | H-Z2       |               | H               | W2   | E   | W  | B  | J  | L     | L1   | Q x l  | Oil Hole | T1                 | N    | C     | Co     | Mx               | My    | Mz                                 | (kg) |  |                 |  |  |  |  |  |  |  |      |  |       |  |  |      |
|                  |            |            |               |                 |      |     |    |    |    |       |      |        |          |                    |      |       |        |                  |       |                                    | (mm) |  |                 |  |  |  |  |  |  |  | (kN) |  | (kNm) |  |  | (kg) |
| 83.009.001       | 83.010.001 | 83.011.001 | TRS15VS       | 24              | 9,5  | 3,2 | 34 | 26 | -  | 40,3  | 22,9 | M4x5   | M4x0,7   | 5,5                | 7    | 9,08  | 14,71  | 0,11             | 0,064 | 0,064                              | 0,09 |  |                 |  |  |  |  |  |  |  |      |  |       |  |  |      |
| 83.009.002       | 83.010.002 | 83.011.002 | TRS15VN       |                 |      |     |    |    | 26 | 56,9  | 39,5 |        |          |                    |      | 12,06 | 22,06  | 0,164            | 0,149 | 0,149                              | 0,15 |  |                 |  |  |  |  |  |  |  |      |  |       |  |  |      |
| 83.009.005       | 83.010.005 | 83.011.005 | TRS20VS       | 28              | 11   | 4,6 | 42 | 32 | -  | 49,4  | 27,8 | M5x6   | M6x1     | 4,5                | 14   | 13,98 | 21,4   | 0,216            | 0,107 | 0,107                              | 0,15 |  |                 |  |  |  |  |  |  |  |      |  |       |  |  |      |
| 83.009.006       | 83.010.006 | 83.011.006 | TRS20VN       |                 |      |     |    |    | 32 | 68,3  | 46,7 |        |          |                    |      | 18,96 | 33,07  | 0,334            | 0,265 | 0,265                              | 0,23 |  |                 |  |  |  |  |  |  |  |      |  |       |  |  |      |
| 83.009.007       | 83.010.007 | 83.011.007 | TRS25VS       | 33              | 12,5 | 5,8 | 48 | 35 | -  | 57,2  | 35,2 | M6x6,5 | M6x1     | 4,5                | 14   | 19,43 | 30,02  | 0,348            | 0,187 | 0,187                              | 0,25 |  |                 |  |  |  |  |  |  |  |      |  |       |  |  |      |
| 83.009.008       | 83.010.008 | 83.011.008 | TRS25VN       |                 |      |     |    |    | 35 | 81    | 59   |        |          |                    |      | 25,81 | 45,03  | 0,522            | 0,434 | 0,434                              | 0,39 |  |                 |  |  |  |  |  |  |  |      |  |       |  |  |      |
| 83.009.009       | 83.010.009 | 83.011.009 | TRS30VS       | 42              | 16   | 7   | 60 | 40 | -  | 67,4  | 40,4 | M8x8   | M6x1     | 8                  | 14   | 26,97 | 39,62  | 0,554            | 0,27  | 0,27                               | 0,48 |  |                 |  |  |  |  |  |  |  |      |  |       |  |  |      |
| 83.009.010       | 83.010.010 | 83.011.010 | TRS30VN       |                 |      |     |    |    | 40 | 96,3  | 69,3 |        |          |                    |      | 38,07 | 64,83  | 0,907            | 0,75  | 0,75                               | 0,77 |  |                 |  |  |  |  |  |  |  |      |  |       |  |  |      |
| 83.009.014       | 83.010.014 | 83.011.014 | TRS35VN       | 48              | 18   | 7,5 | 70 | 50 | 50 | 109   | 79   | M8x8   | M6x1     | 8                  | 14   | 50,9  | 83,46  | 1,427            | 1,061 | 1,061                              | 1,15 |  |                 |  |  |  |  |  |  |  |      |  |       |  |  |      |
| 83.009.016       | 83.010.016 | 83.011.016 | TRS35VE       |                 |      |     |    |    | 72 | 153   | 123  |        |          |                    |      | 66,67 | 122,74 | 2,099            | 2,34  | 2,34                               | 1,54 |  |                 |  |  |  |  |  |  |  |      |  |       |  |  |      |
| 83.009.017       | 83.010.017 | 83.011.017 | TRS45VN       | 60              | 20,5 | 8,9 | 86 | 60 | 60 | 124,5 | 90,5 | M10x15 | PT1/8    | 10,5               | 12,5 | 67,58 | 108,87 | 2,488            | 1,58  | 1,58                               | 1,98 |  |                 |  |  |  |  |  |  |  |      |  |       |  |  |      |

N-Z0: normál pontosság előfeszítés nélkül  
H-Z1: magas pontosság enyhén előfeszítve  
H-Z2: magas pontosság közepesen előfeszítve

standard accuracy without preload  
high accuracy with light preload  
high accuracy with medium preload

A termékek gyártója / Producer of the items: